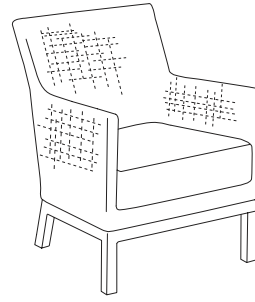


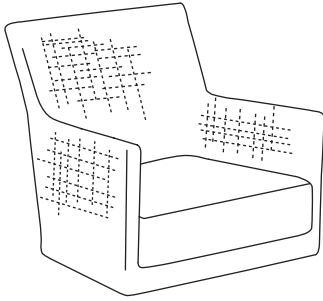
ARGENTO CLUB CHAIR

ASSEMBLY INSTRUCTIONS

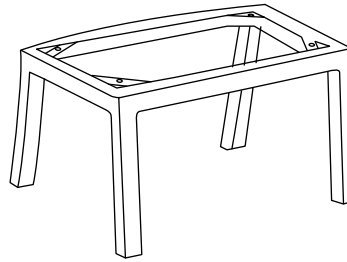


COMPONENTS

① Seat Assembly



② Leg Assembly



HARDWARE

- A** Short Machine Bolt  
Quantity: 2



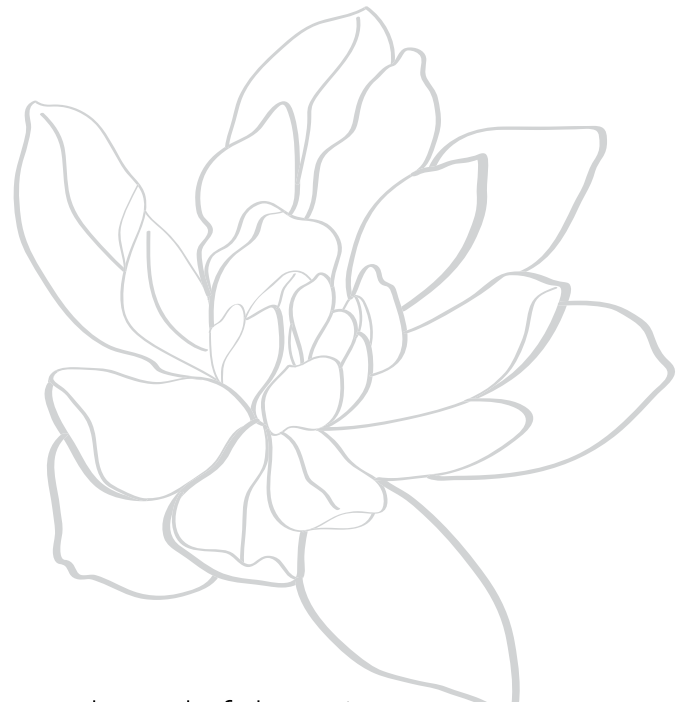
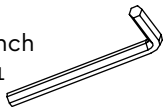
- B** Long Machine Bolt  
Quantity: 2



- C** Flat Washer  
Quantity: 4



- D** Allen Wrench  
Quantity: 1



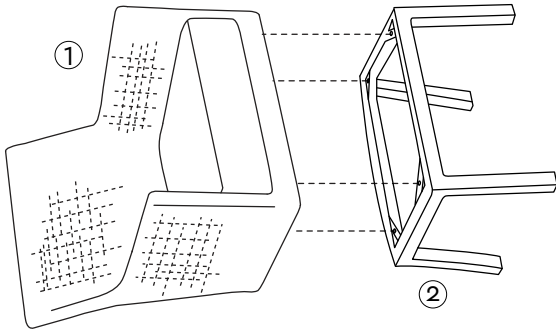
Thoughtful Design **MADE RIGHT**

# INSTRUCTIONS

## STEP 1

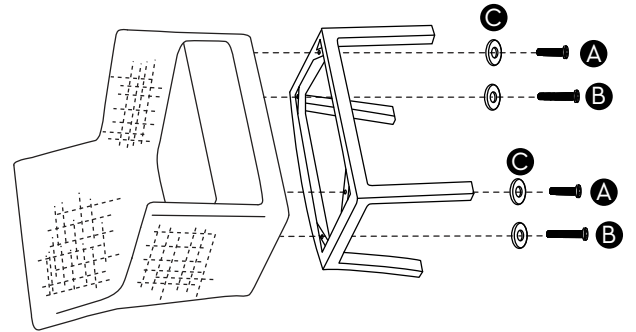
Place Seat Assembly ① onto its' side. Line up Leg Assembly ② to the pre drilled holes on the seat assembly as shown.

Note: Curved part of leg assembly lines up with the back of the chair.



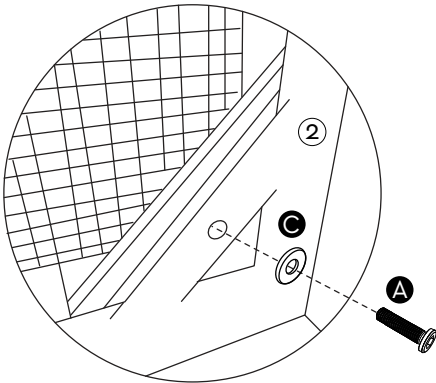
## STEP 2

Place washer C on bolts, A & B. Next, hand tighten bolts into the pre drilled holes in the corner. Repeat for all corners.



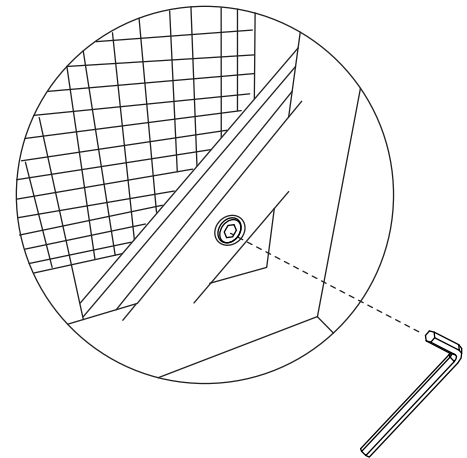
## Step 2 Detail

Underside view



## Step 3

Tighten all four bolts with the allen wrench provided.



## STEP 4

Turn upright and enjoy!

