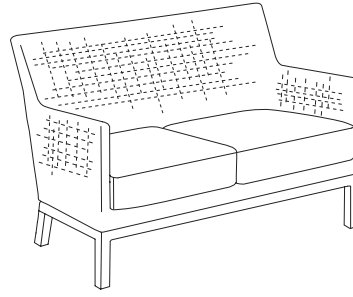
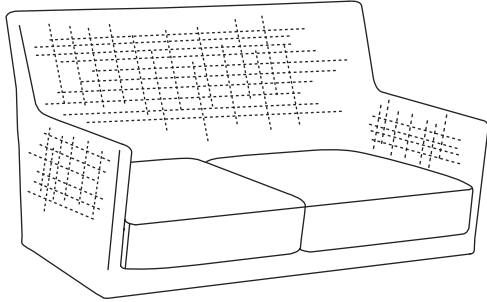


ARGENTO LOVESEAT
ASSEMBLY INSTRUCTIONS

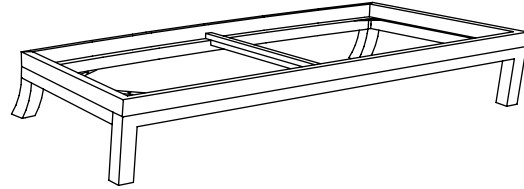


COMPONENTS

○ Seat Assembly




② Leg Assembly




HARDWARE


A 25 mm Short Bolt
Quantity: 2




B 35 mm Long Bolt
Quantity: 3



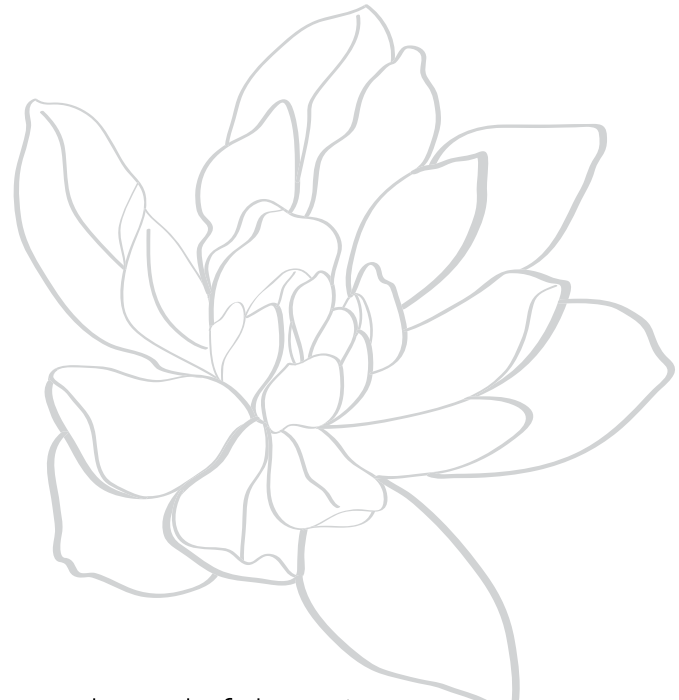
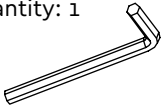
C 45 mm Long Bolt
Quantity: 1



D Flat Washer
Quantity: 6



E Allen Wrench
Quantity: 1



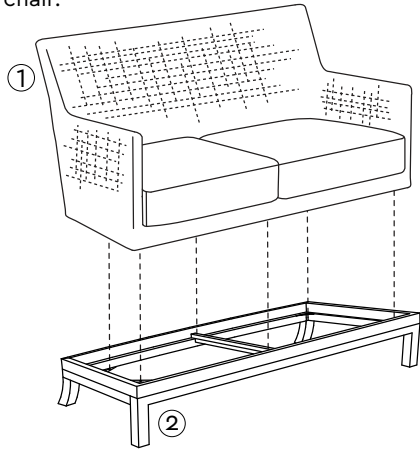
Thoughtful Design **MADE RIGHT**

INSTRUCTIONS

STEP 1

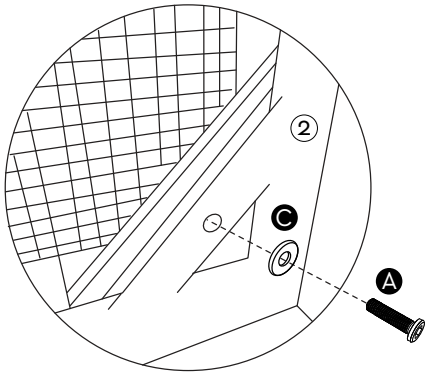
Line up Loveseat Seat Assembly ① onto Leg Assembly ② to the pre drilled holes on the seat assembly as shown.

Note: Curved part of leg assembly lines up with the back of the chair.



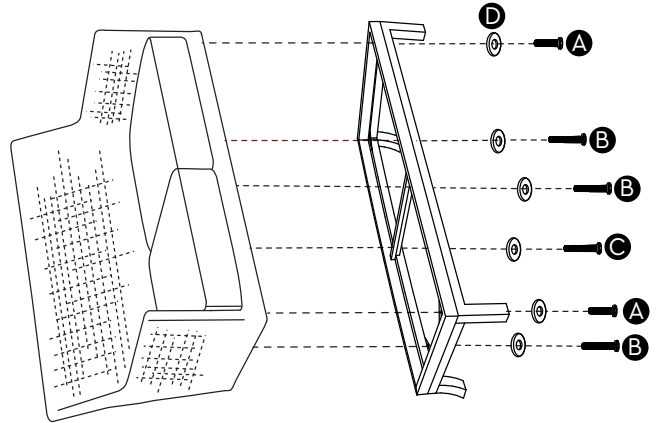
Step 2 Detail

Underside view



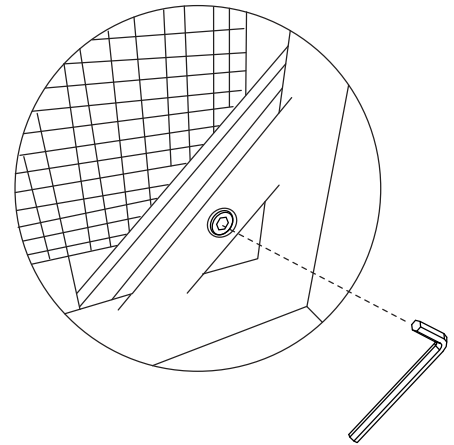
STEP 2

Place washer (D) on bolts (A, B & C). Next, hand tighten bolts into the pre drilled holes as shown. Repeat for all bolts.



Step 3

Tighten all four bolts with the allen wrench provided.



STEP 4

Turn upright and enjoy!

