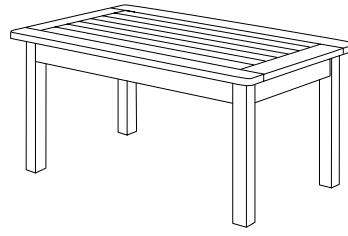


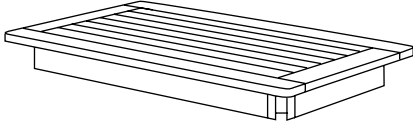
36" COFFEE TABLE

ASSEMBLY INSTRUCTIONS



COMPONENTS

- ① Table Top Assembly
Quantity: 1



- ② Corner Posts
Quantity: 4



HARDWARE

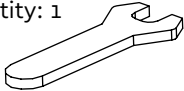
- A Metal Washers
Quantity: 8



- B Hex Nuts
Quantity: 8



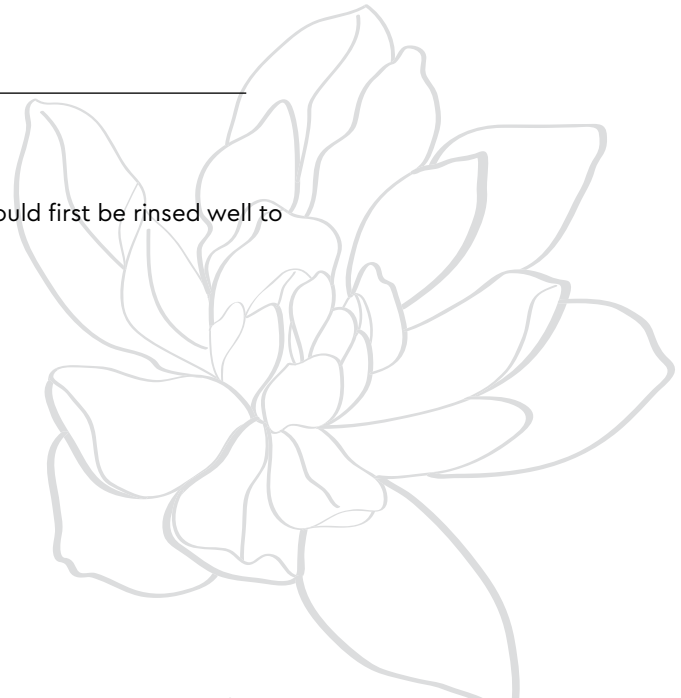
- C Hex Head Wrench
Quantity: 1



FINISHING ITEMS

Medium Grit Sandpaper.

NOTE: If the furniture is going to be placed on a concrete or tile patio, it should first be rinsed well to remove the sawdust that may cause some staining.

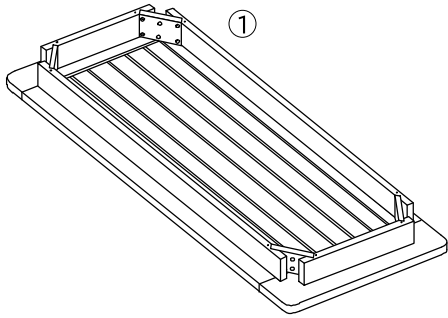


Thoughtful Design **MADE RIGHT**

INSTRUCTIONS

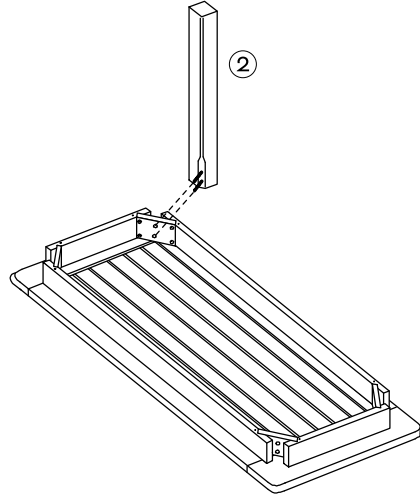
STEP 1

On a clean flat surface, lay table top ① upside down.



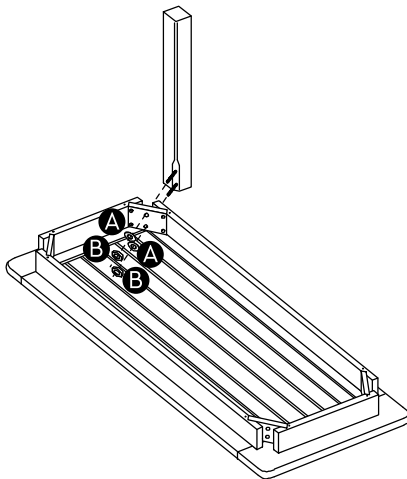
STEP 2

Insert the threaded rods on one corner post ② into the holes located on one corner of the table top as shown.



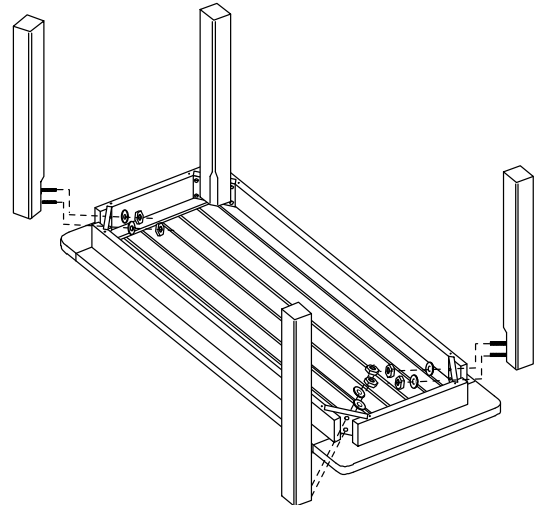
STEP 3

With the hex head wrench provided, secure corner post to the table top using the metal washer (A) and hex nut (B).

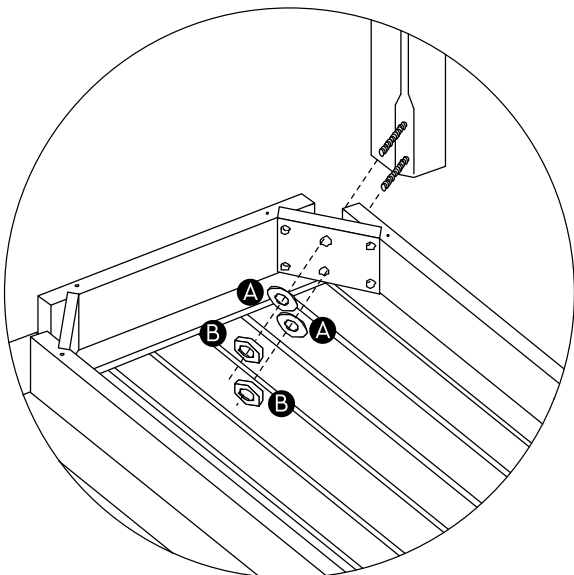


STEP 4

Repeat steps 2 and 3 for the remaining 3 Corner Posts.



STEPS 3 & 4 (detail)



STEP 5

Carefully turn the assembled coffee table in an upright position and enjoy!

