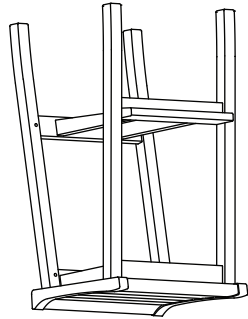


ITEM - DNST  
 DARTMOOR STOOL



*About Shorea Wood*

Shorea is a tropical hardwood that is comparable to teak. Because of its high oil content it is resistant to rotting, bug infestation, and the effects of wind, rain, sun, and snow. If left untreated shorea weathers naturally to a beautiful silver gray color. Some surface roughness may develop, especially at the end grain, but over a period of about one year, the natural weathering process will stabilize. Moderate checking in the grain is normal with exposure to the elements. Small surface cracks that may appear in no way affect the structural integrity of the furniture. As weather conditions and temperatures fluctuate these small cracks may expand and contract.

*Wood Care Instruction*

To prevent the staining of concrete or tile the furniture should be rinsed well after assembly to remove dust that might remain from the manufacturing process. Although shorea weathers well we recommend a routine application of teak oil or Cabot's Australian Timber Oil in extremely dry climates. A routine oiling is also recommended for furniture to be used for dining purposes to discourage staining from food and drink spills.

For seasonal cleaning rinse the furniture well and then scrub (using a sponge or soft bristle brush) with a mild solution of water, laundry detergent and a little bleach. Rinse with fresh water.

To restore the original wood color, Oxford Garden suggests applying Cabot's Australian Timber Oil or any high quality teak oil after cleaning. Test in an inconspicuous spot first, to approve the color. Application of oil is at the customer's discretion and is not covered by the warranty. Paint or any products with polyurethane are not recommended, as application of these products will void the warranty as well.

For additional information regarding our warranty, please visit [www.oxfordgarden.com](http://www.oxfordgarden.com)

**Tools** (included)

Wood Glue  
 QUANTITY: 1



Wood Glue Brush  
 QUANTITY: 1

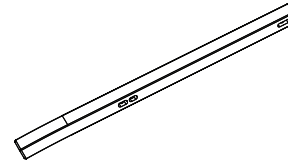


**Components**

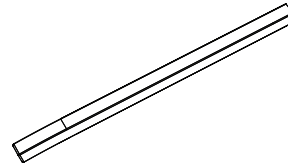
① Seat  
 QUANTITY: 1



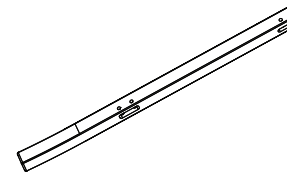
② Front Right Leg  
 QUANTITY: 1



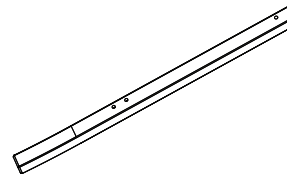
③ Front Left Leg  
 QUANTITY: 1



④ Rear Right Leg  
 QUANTITY: 1



⑤ Rear Left Leg  
 QUANTITY: 1



**Components**

⑥ Foot Rest  
 QUANTITY: 1



**Hardware**

A 8mm dowels  
 QUANTITY: 14



**Finishing Items** (included)

Medium Grit Sandpaper

NOTE: A hammer (not provided) will be needed for the assembly of this bar chair.

NOTE: If the furniture is going to be placed on concrete or tile patio, it should first be rinsed well to remove the sawdust that may cause some staining.

**GLUING INSTRUCTIONS:**

Correct assembly of this chair requires glue to be applied to the final assembly joints using the supplied glue. To properly glue these joints follow the directions below:

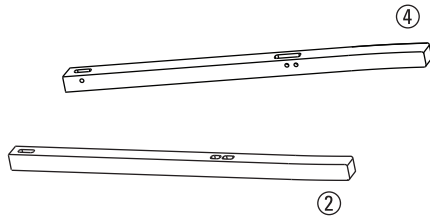
a. Lay the assembly part flat and apply a liberal amount of glue into the mortise using the brush and glue supplied. Use the brush to make sure the glue is thick on the inside walls of the mortise.

b. Apply a liberal amount of glue to the complete tenon using the brush to make sure the glue has contact with the entire tenon.

c. Assemble the parts as instructed in the instruction steps. After assembling the glued parts, use a damp cloth or sponge to clean up any excess glue from the outer surface of the furniture.

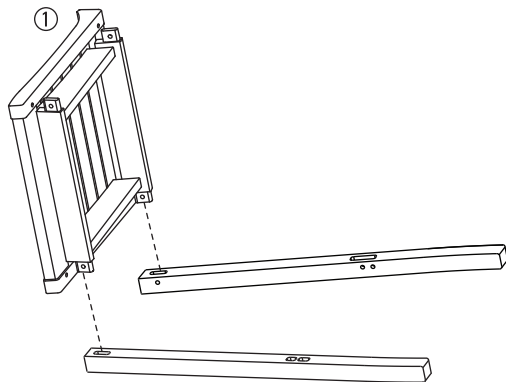
## Step 1 \* Apply glue in this step.

On a clean flat surface, lay the right front leg ② (front leg has two lower mortise holes), and the right rear leg ④ (rear leg has one lower mortise hole) on their sides mortise holes facing up.



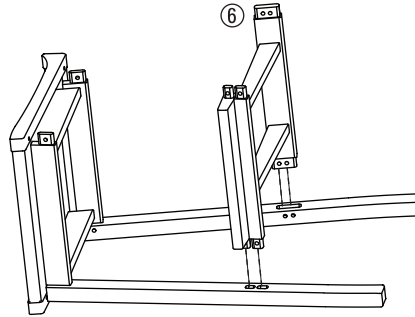
## Step 2 \* Apply glue in this step.

Line up the seat ①, and insert into the legs.



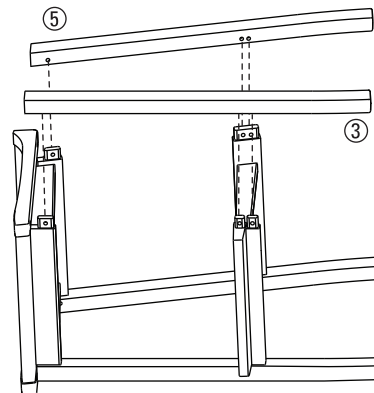
## Step 3 \* Apply glue in this step.

Line up the foot rest ⑥, and insert into the legs.



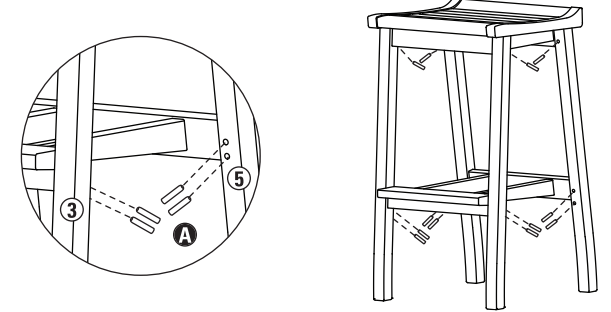
## Step 4 \* Apply glue in this step.

Place the left front leg ③ and the left rear leg ⑤ onto the parts already assembled.



## Step 5

With a hammer, drive 12 total dowels A into the predrilled holes on the inside of the front and rear of the legs as shown. Insert the tapered end of the dowels first. NOTE: The dowels should be easily driven in flush. If there is strong resistance, do not force the dowel. Sand to smooth off areas around the dowel pins.



## Step 6

Enjoy your new bar stool!

