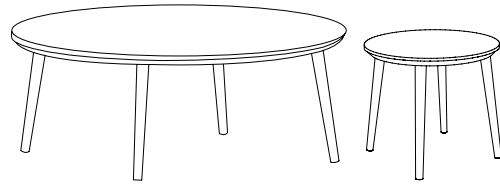


NETTE OCCASIONAL TABLES  
ASSEMBLY INSTRUCTIONS



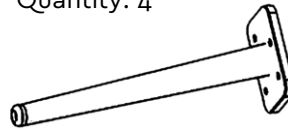
**COMPONENTS**

---

- ① Table Top Assembly  
Quantity: 1



- ② Table Legs  
Quantity: 4



**HARDWARE**

---

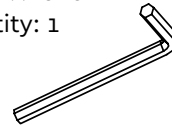
- A Machine Bolt  
Quantity: 16



- B Metal Washer  
Quantity: 16



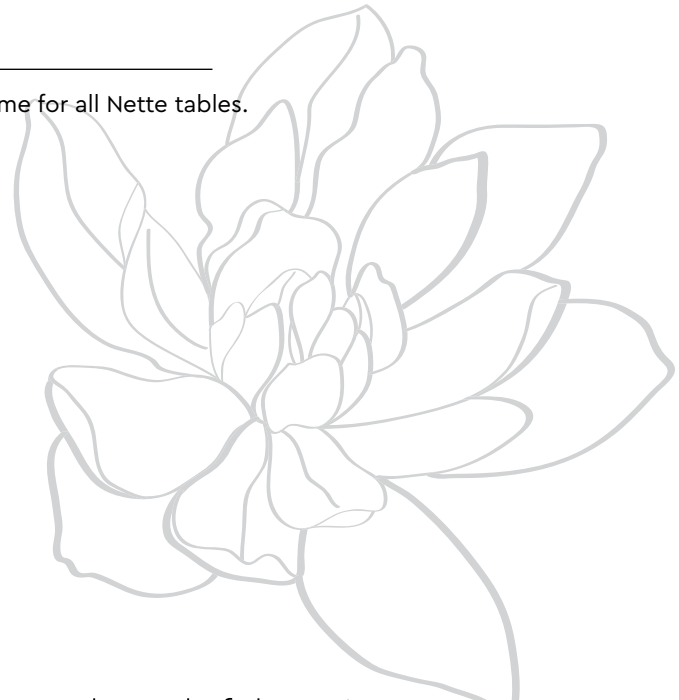
- C Allen Wrench  
Quantity: 1



**NOTES**

---

Table top and legs may vary from illustrations but the assembly is the same for all Nette tables.



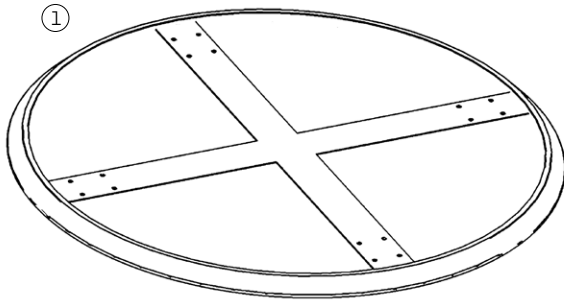
Thoughtful Design **MADE RIGHT**

# INSTRUCTIONS

---

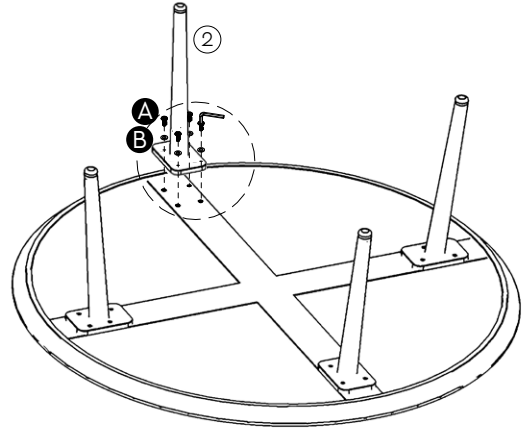
## STEP 1

Lay table top ① upside down on top of provided cardboard box or blanket to protect the surface of the table top while assembling.

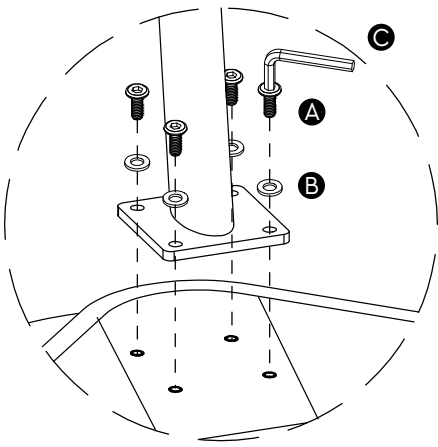


## STEP 2

Using the allen wrench provided, secure table leg ② to table top using metal washers B and bolts A. Repeat for the remaining 3 legs.



## STEP 2 (detail)



## STEP 3

Carefully turn assembled table in an upright position.

