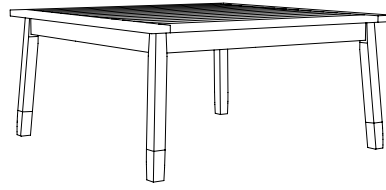


SIENA CHAT TABLE - SC42CA

ASSEMBLY INSTRUCTIONS



**COMPONENTS**

---

- ① Table Top Assembly  
Quantity: 1



- ② Corner Posts  
Quantity: 4



**HARDWARE**

---

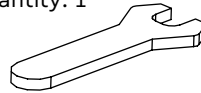
- A Washers  
Quantity: 10



- B Hex Nuts  
Quantity: 10



- C Hex Head Wrench  
Quantity: 1

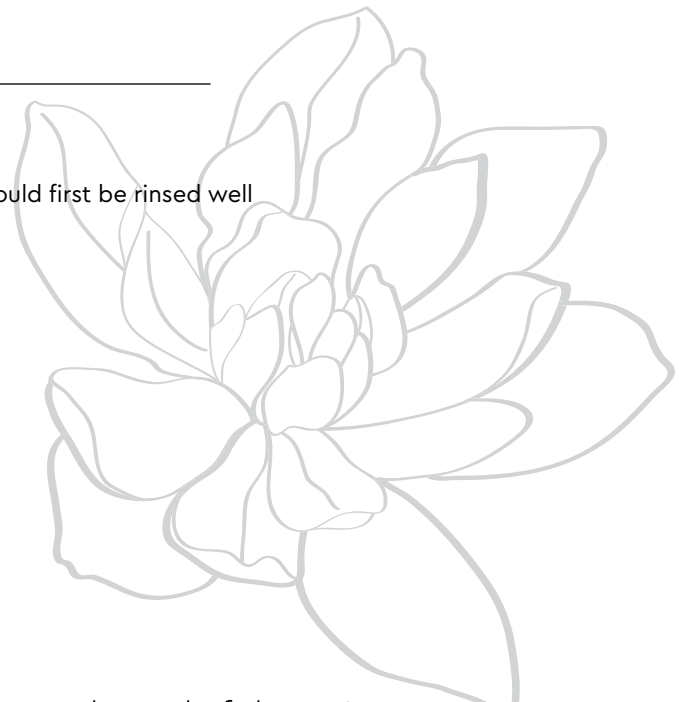


**FINISHING ITEMS**

---

Medium Grit Sandpaper

NOTE: If the furniture is going to be placed on a concrete or tile patio, it should first be rinsed well to remove the sawdust that may cause some staining.

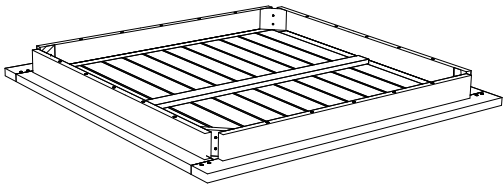


Thoughtful Design **MADE RIGHT**

## INSTRUCTIONS

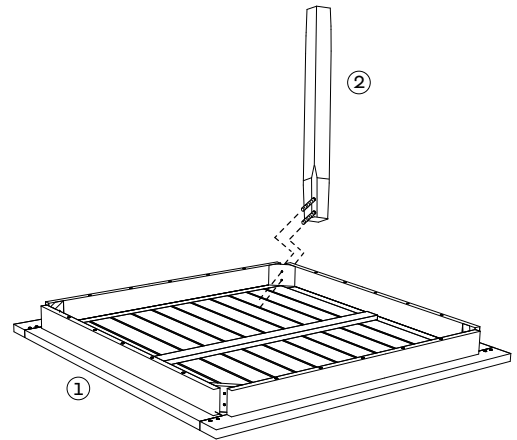
### STEP 1

On a clean flat surface, lay table top upside down ①.



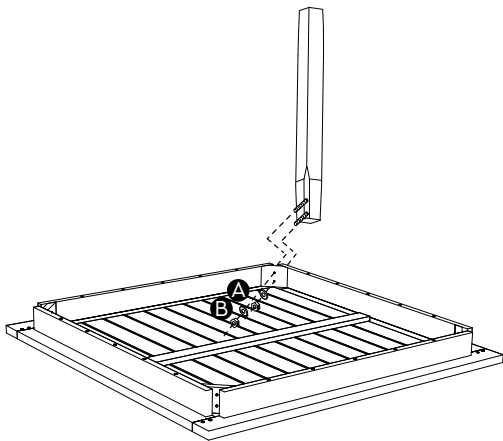
### STEP 2

Insert the threaded rods on one corner post ② into holes located on one corner of table top.

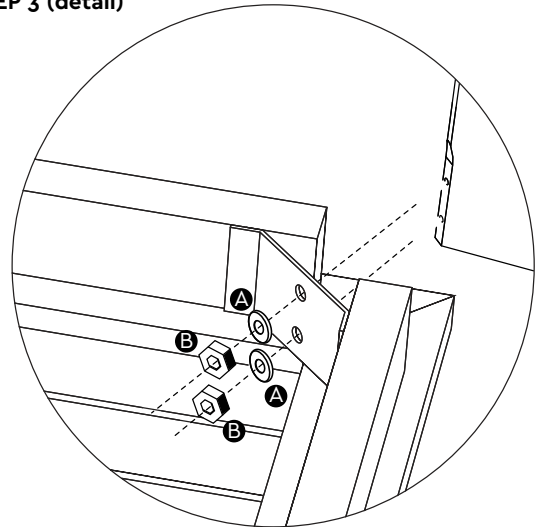


### STEP 3

Using the hex head wrench provided, secure corner post to the table top using the metal washers A and hex nuts B as shown.

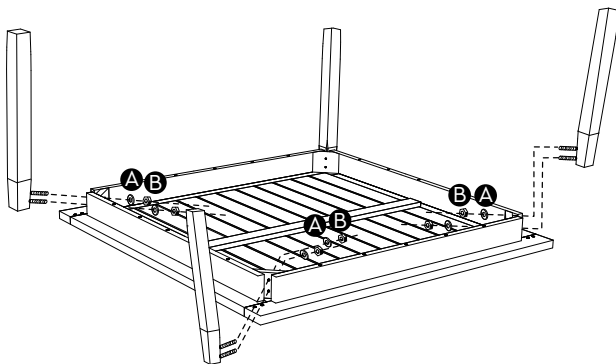


### STEP 3 (detail)



### STEP 4

Repeat steps 2 and 3 for the remaining corner posts.



### STEP 5

Carefully turn the assembled chat table in an upright position and enjoy.

