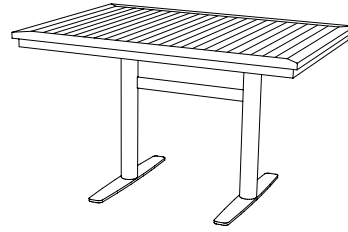
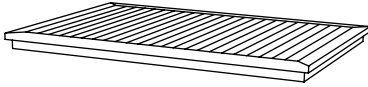


TRAVIRA 34" X 48" RECTANGULAR BISTRO TABLE
ASSEMBLY INSTRUCTIONS

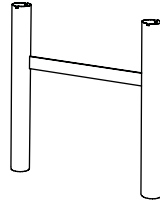


COMPONENTS

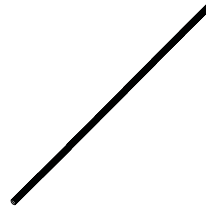
① Table Top Assembly
Quantity: 1



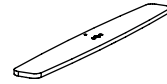
② Two Pedestal Post
Quantity: 1



③ Rod
Quantity: 2



④ Pedestal Post Foot
Quantity: 2



HARDWARE

A Hex Nut
Quantity: 2



B Locking Hex Nut
Quantity: 2



C Flat Washer
Quantity: 2



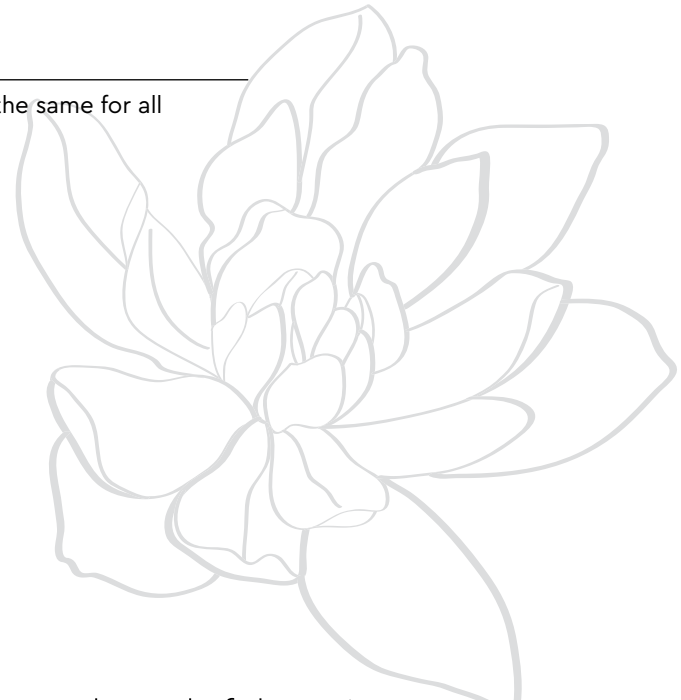
D Lock Washer
Quantity: 2



NOTES

Table top, post and or base may vary from illustrations but the assembly is the same for all

Travira 34" x 48" Rectangular Bistro Tables



Thoughtful Design **MADE RIGHT**

INSTRUCTIONS

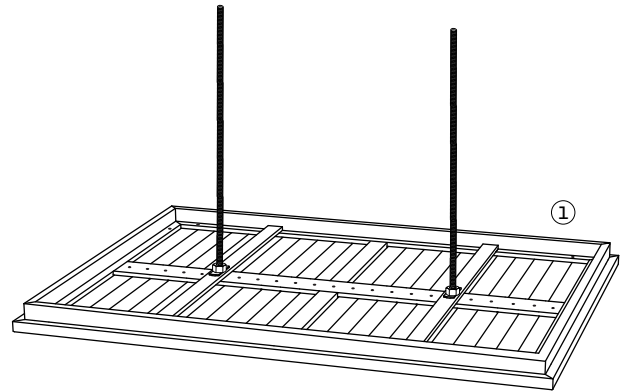
STEP 1

Thread one of the hex **A** nuts onto one end of rod **3** about one inch. Repeat for both rods.



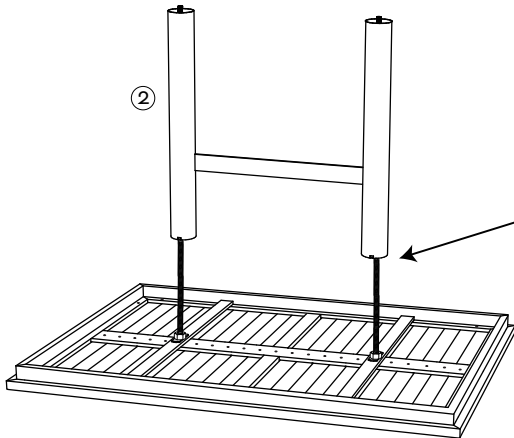
STEP 2 -

Thread rods into table top **1** snugly until you feel it hit the table top. NOTE: Do not over tighten in this step. Once you feel the rod is snug, reverse the rod about one half a turn. Tighten hex nut securely with wrench.

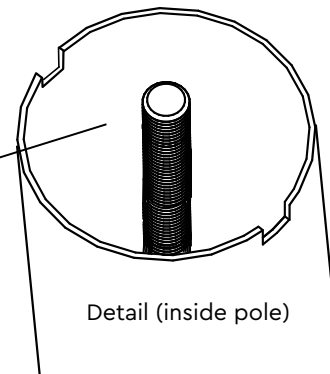


STEP 3

Slide pedestal post over **2** the rod and align notches with small plate on bottom of table as shown.

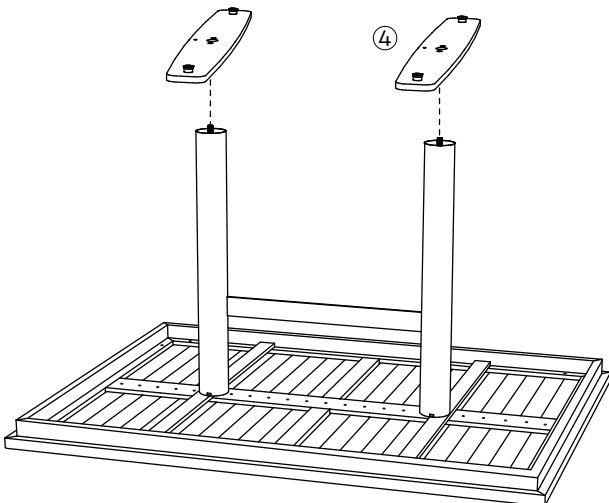


STEP 3 (detail)



STEP 4

Next, place pedestal post feet **4** over threaded rod as shown.



STEP 5

Insert flat washer **C**, lock washer **D** and locking hex nut **B** over the rod and secure tightly using wrench.

