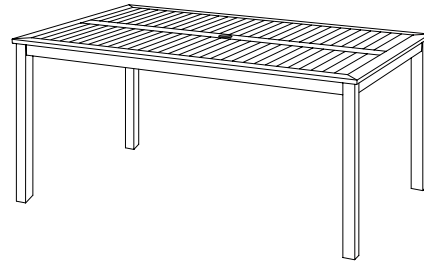


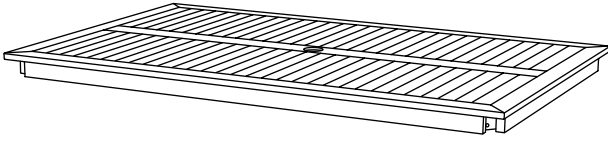
63" TRAVIRA TABLE

ASSEMBLY INSTRUCTIONS

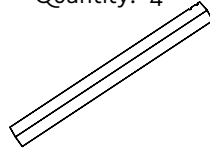


COMPONENTS

- ① Table Top Assembly
Quantity: 1



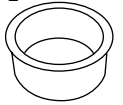
- ② Corner Posts
Quantity: 4



- ③ Parasol Hole Cap
Quantity: 1



- ④ Aluminum Umbrella Hole Reducer - optional
Quantity: 1



HARDWARE

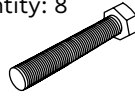
- A Flat Washer
Quantity: 8



- B Lock Washers
Quantity: 8



- C Bolts
Quantity: 8

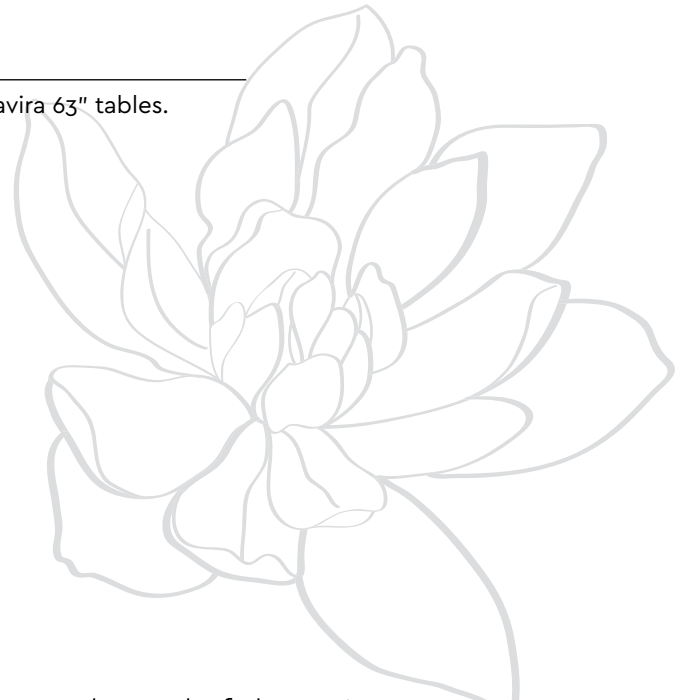


- D Allen Wrench
Quantity: 1



NOTE

Table top may vary from illustrations but the assembly is the same for all Travira 63" tables.

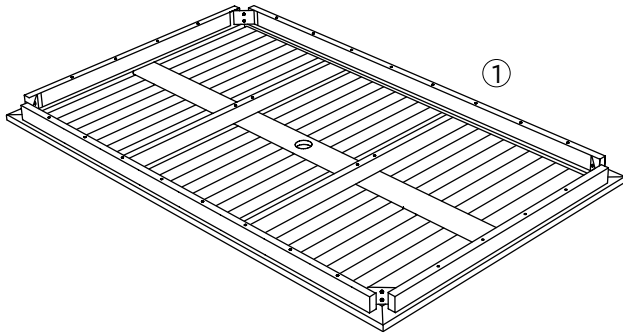


Thoughtful Design **MADE RIGHT**

INSTRUCTIONS

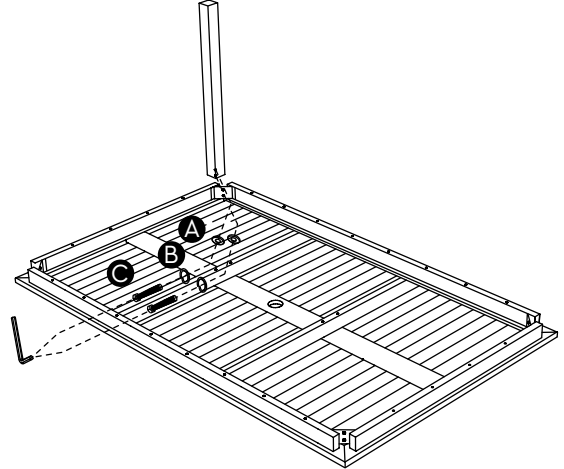
STEP 1

On a flat surface, lay table ① top upside down.

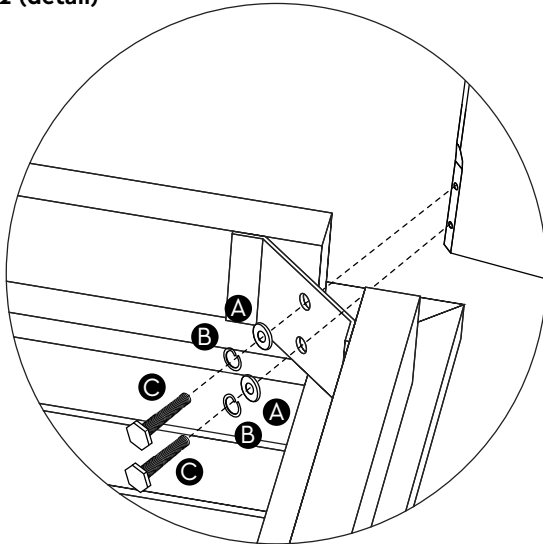


STEP 2

Using the provided wrench, secure corner post to the table top using a metal lock washer, B washer A and bolt C. Repeat step 2 for the remaining 3 corner posts.

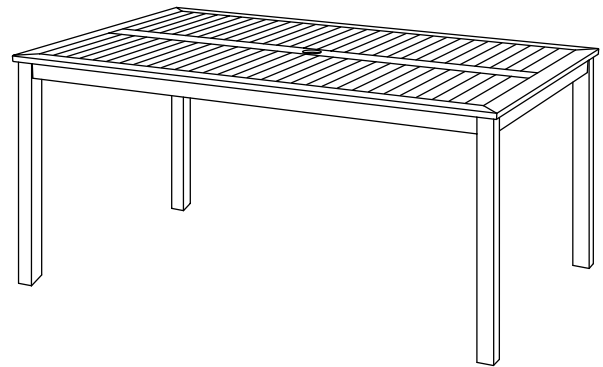


STEP 2 (detail)



STEP 3

Carefully turn the assembled dining table in an upright position.



STEP 4 (Optional)

If you have a smaller umbrella pole - use the provided Aluminum Umbrella Hole Reducer ④ to secure umbrella.

