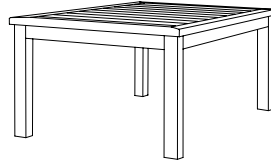


TRAVIRA COFFEE TABLE - TVTA  
ASSEMBLY INSTRUCTIONS



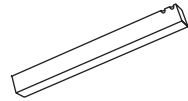
**COMPONENTS**

---

- ① Table Top Assembly  
Quantity: 1



- ② Corner Posts  
Quantity: 4



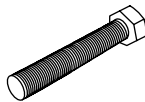
**HARDWARE**

---

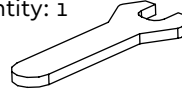
- Ⓐ Metal Washers  
Quantity: 8



- Ⓑ Bolts  
Quantity: 8



- Ⓒ Hex Head Wrench  
Quantity: 1

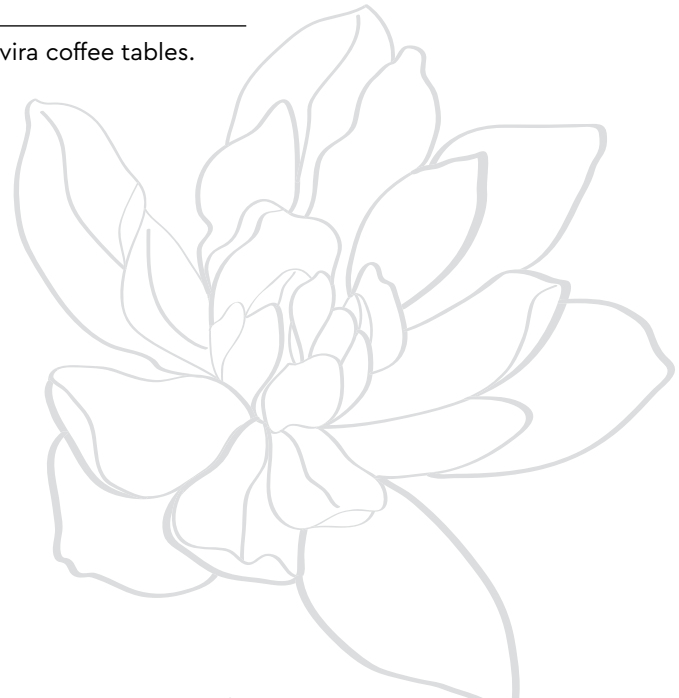


**NOTES**

---

Table top may vary from illustrations but the assembly is the same for all Travira coffee tables.

Hardware pack may contain extra hardware.



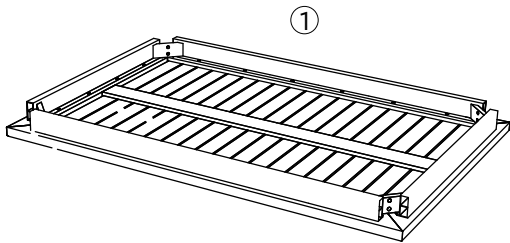
Thoughtful Design **MADE RIGHT**

# INSTRUCTIONS

---

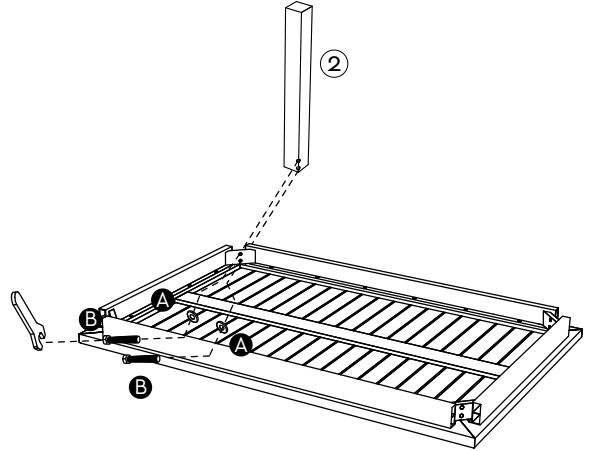
## STEP 1

On a clean flat surface, lay table top ① upside down.

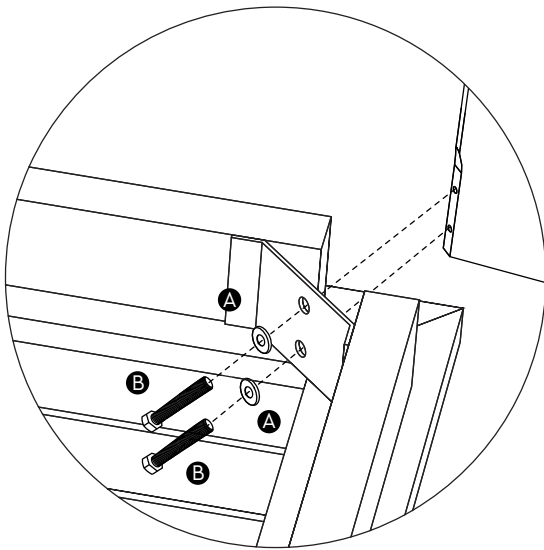


## STEP 2

Using the provided wrench, secure corner post ② to the table top using two metal washers (A) and two bolts (B).



## STEP 2 (detail)



## Step 3

Repeat step 2 for the remaining 3 corner posts.

## STEP 4

Carefully turn the assembled table in an upright position and enjoy!

